



Heavy Duty Exit Devices

Delayed Egress Device

ELR Devices





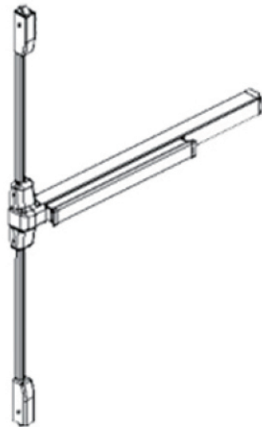
Exit Devices



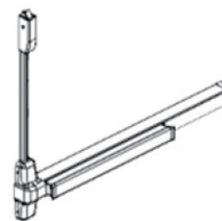
MODELS



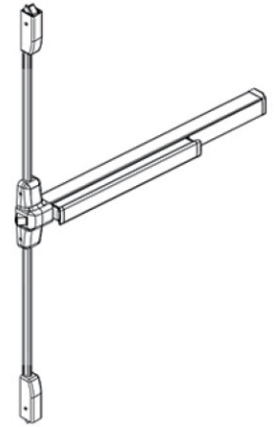
58110
Rim



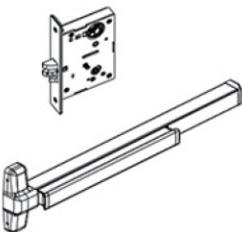
58330
Surface Vertical Rod



LBR58330
Less Bottom Rod
SVR



58330-1
3 Point Lock

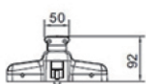
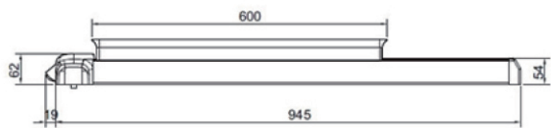


58220
Mortise

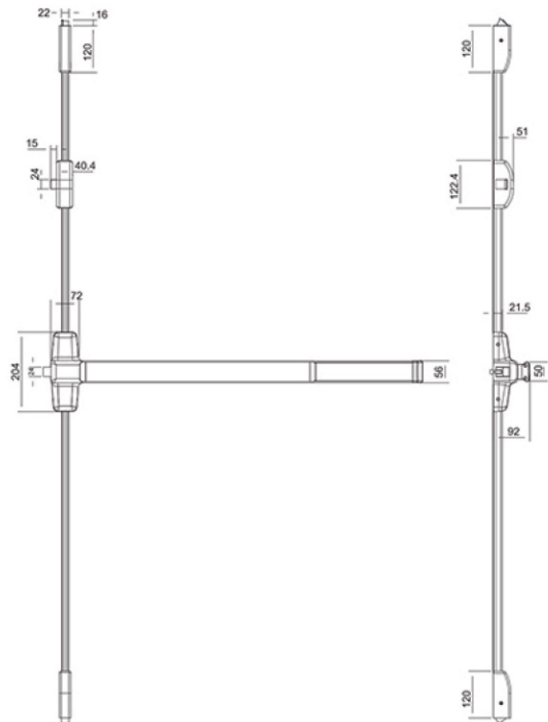
Exit Devices



DIMENSIONS



58110 Rim



58330 SVR

58110S Panic-Rated Rim Exit Device**58110F Fire-Rated Rim Exit Device****SPECIFICATIONS**

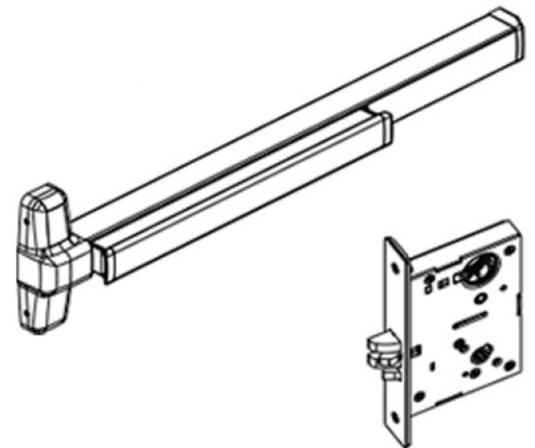
- **Device Length:** 24" (567mm), 36" (850mm), 48" (1137mm)
- **Door Width:** 24" for 24" (610mm)
36" for 28" to 36" (711mm to 914mm)
48" for 34" to 48" (864mm to 1219mm)
- **Door Height:** Standard rod 84" (2134mm)
Extension rod 96" (2438mm)
Special rod 120" (3048mm)
- **Door Thickness:** Min. 44mm.
- **Dogging Kit:** Hex key dogging.
- **Screw Pack:** For 1-3/4" (44mm) to 2-1/4" (57mm) thickness, metal or wood door.
- **Handling:** Non-handed.
- **Material:** Stainless steel, steel, aluminum.
- **Finish:** (1) standard: SS satin, silver painted.
(2) optional: polishing, PVD, black, red.

**CERTIFICATIONS**

- **UL Listed:** UL10C, 3-hour fire rated.
- **BHMA Certified:** ANSI A156.3 Grade 1.

58220S Panic-Rated Mortise Lock Exit Device**58220F Fire-Rated Mortise Lock Exit Device****SPECIFICATIONS**

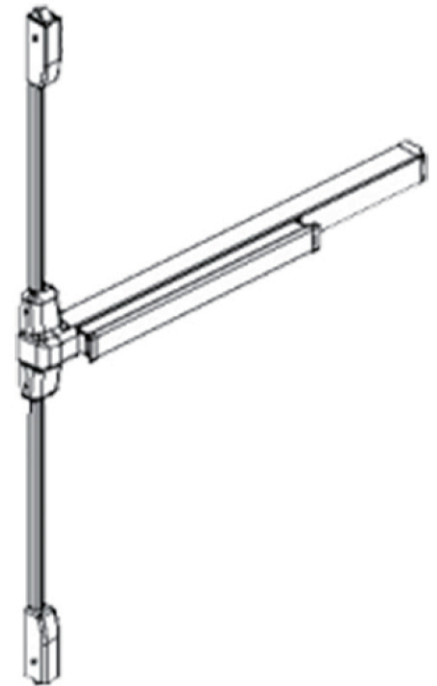
- **Device Length:** 24" (567mm), 36" (850mm), 48" (1137mm)
- **Door Width:** 24" for 24" (610mm)
36" for 28" to 36" (711mm to 914mm)
48" for 34" to 48" (864mm to 1219mm)
- **Door Height:** Standard rod 84" (2134mm)
Extension rod 96" (2438mm)
Special rod 120" (3048mm)
- **Door Thickness:** Min. 44mm.
- **Dogging Kit:** Hex key dogging.
- **Screw Pack:** For 1-3/4" (44mm) to 2-1/4" (57mm) thickness, metal or wood door.
- **Handling:** Non-handed.
- **Material:** Stainless steel, steel, aluminum.
- **Finish:** (1) standard: SS satin, silver painted.
(2) optional: polishing, PVD, black, red.

**CERTIFICATIONS**

- **UL Listed:** UL10C, 3-hour fire rated.
- **BHMA Certified:** ANSI A156.3 Grade 1.

58330S Panic-Rated SVR Exit Device**58330F Fire-Rated SVR Exit Device****SPECIFICATIONS**

- **Device Length:** 24" (567mm), 36" (850mm), 48" (1137mm)
- **Door Width:** 24" for 24" (610mm)
36" for 28" to 36" (711mm to 914mm)
48" for 34" to 48" (864mm to 1219mm)
- **Door Height:** Standard rod 84" (2134mm)
Extension rod 96" (2438mm)
Special rod 120" (3048mm)
- **Door Thickness:** Min. 44mm.
- **Dogging Kit:** Hex key dogging.
- **Screw Pack:** For 1-3/4" (44mm) to 2-1/4" (57mm) thickness, metal or wood door.
- **Handling:** Non-handed.
- **Material:** Stainless steel, steel, aluminum.
- **Finish:** (1) standard: SS satin, silver painted.
(2) optional: polishing, PVD, black, red.

**CERTIFICATIONS**

- **UL Listed:** UL10C, 3-hour fire rated.
- **BHMA Certified:** ANSI A156.3 Grade 1.

Less Bottom Rod

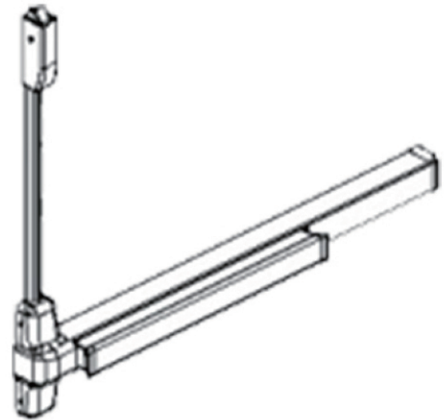
LBR58330S Panic-Rated SVR Exit Device

LBR58330F Fire-Rated SVR Exit Device



SPECIFICATIONS

- **Device Length:** 24" (567mm), 36" (850mm), 48" (1137mm)
- **Door Width:** 24" for 24" (610mm)
36" for 28" to 36" (711mm to 914mm)
48" for 34" to 48" (864mm to 1219mm)
- **Door Height:** Standard rod 84" (2134mm)
Extension rod 96" (2438mm)
Special rod 120" (3048mm)
- **Door Thickness:** Min. 44mm.
- **Dogging Kit:** Hex key dogging.
- **Screw Pack:** For 1-3/4" (44mm) to 2-1/4" (57mm) thickness, metal or wood door.
- **Handling:** Non-handed.
- **Material:** Stainless steel, steel, aluminum.
- **Finish:** (1) standard: SS satin, silver painted.
(2) optional: polishing, PVD, black, red.

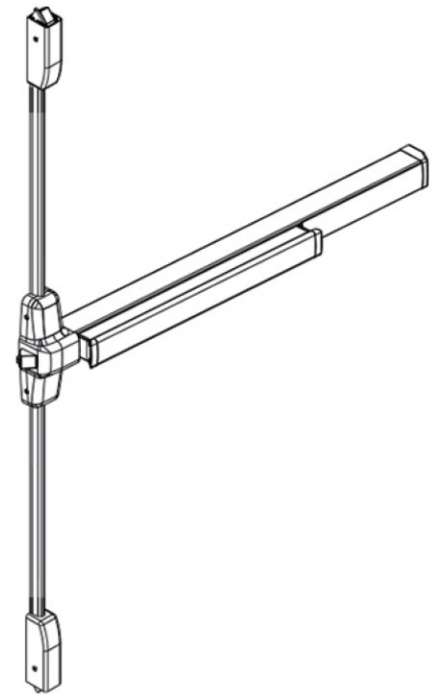


CERTIFICATIONS

- **UL Listed:** UL10C, 3-hour fire rated. (LBR58330F pending)
- **BHMA Certified:** ANSI A156.3 Grade 1.

58330S-1 Panic-Rated 3-Point Exit Device**58330F-1 Fire-Rated 3-Point Exit Device****SPECIFICATIONS**

- **Device Length:** 24" (567mm), 36" (850mm), 48" (1137mm)
- **Door Width:** 24" for 24" (610mm)
36" for 28" to 36" (711mm to 914mm)
48" for 34" to 48" (864mm to 1219mm)
- **Door Height:** Standard rod 84" (2134mm)
Extension rod 96" (2438mm)
Special rod 120" (3048mm)
- **Door Thickness:** Min. 44mm.
- **Dogging Kit:** Hex key dogging.
- **Screw Pack:** For 1-3/4" (44mm) to 2-1/4" (57mm) thickness, metal or wood door.
- **Handling:** Non-handed.
- **Material:** Stainless steel, steel, aluminum.
- **Finish:** (1) standard: SS satin, silver painted.
(2) optional: polishing, PVD, black, red.

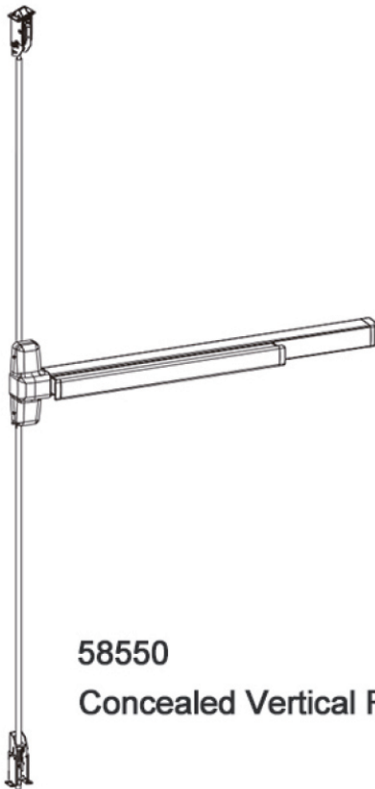
**CERTIFICATIONS**

- **UL Listed:** UL10C, 3-hour fire rated. (58330F-1 pending)
- **BHMA Certified:** ANSI A156.3 Grade 1.

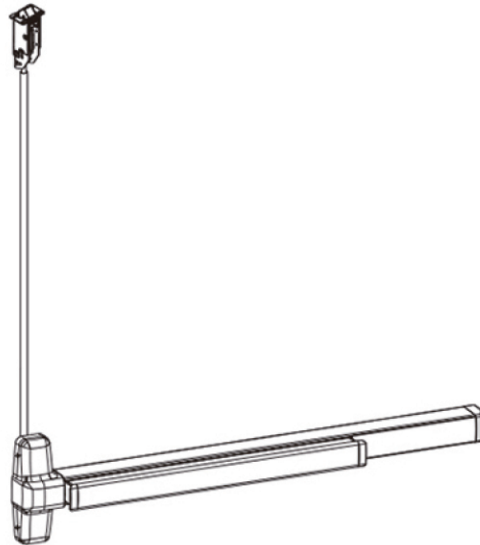
Exit Devices



MODELS



58550
Concealed Vertical Rod

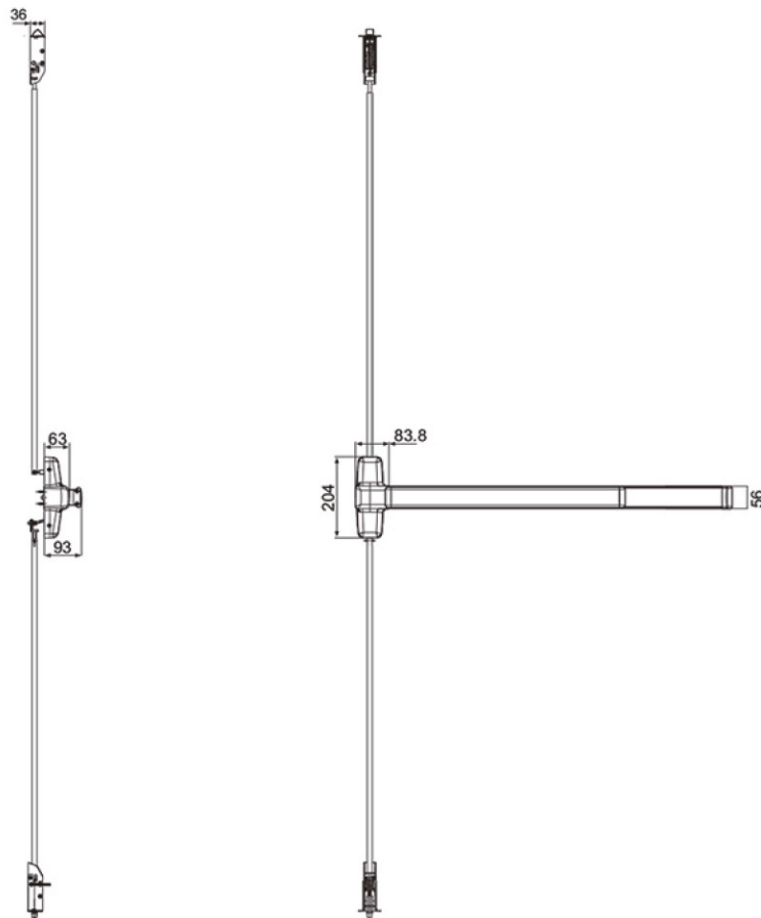


LBR58550
Less Bottom Rod
CVR

Exit Devices

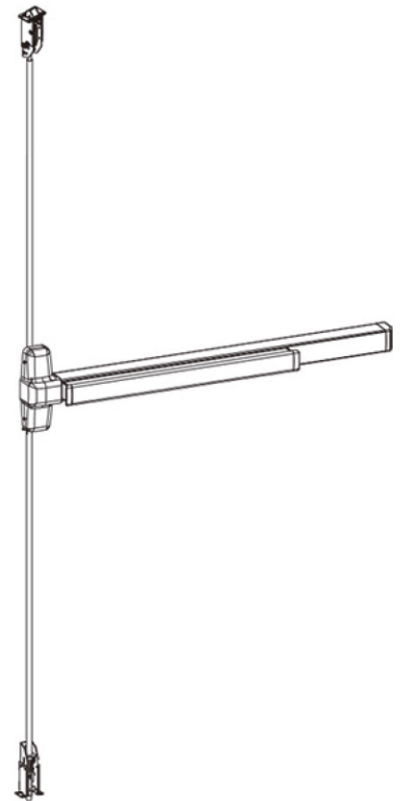


DIMENSIONS



58550S Panic-Rated CVR Exit Device**58550F Fire-Rated CVR Exit Device****SPECIFICATIONS**

- **Device Length:** 24" (567mm), 36" (850mm), 48" (1137mm)
- **Door Width:** 24" for 24" (610mm)
36" for 28" to 36" (711mm to 914mm)
48" for 34" to 48" (864mm to 1219mm)
- **Door Height:** Standard rod 84" (2134mm)
Extension rod 96" (2438mm)
Special rod 120" (3048mm)
- **Door Thickness:** Min. 44mm.
- **Dogging Kit:** Hex key dogging.
- **Screw Pack:** For 1-3/4" (44mm) to 2-1/4" (57mm) thickness, metal or wood door.
- **Handling:** Non-handed.
- **Material:** Stainless steel, steel, aluminum.
- **Finish:** (1) standard: SS satin, silver painted.
(2) optional: polishing, PVD, black, red.

**CERTIFICATIONS**

- **UL Listed:** Pending
- **BHMA Certified:** Pending

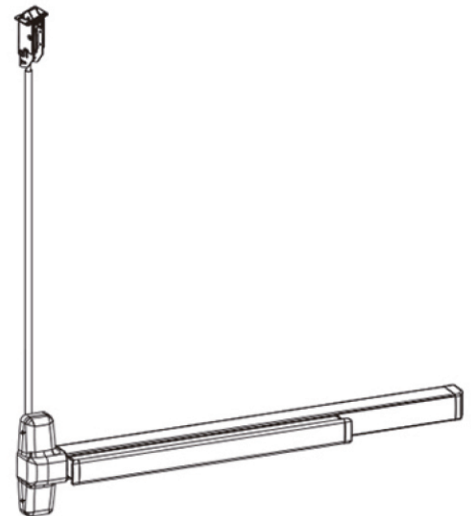
Less Bottom Rod

LBR58550S Panic-Rated CVR Exit Device

LBR58550F Fire-Rated CVR Exit Device

SPECIFICATIONS

- **Device Length:** 24" (567mm), 36" (850mm), 48" (1137mm)
- **Door Width:** 24" for 24" (610mm)
36" for 28" to 36" (711mm to 914mm)
48" for 34" to 48" (864mm to 1219mm)
- **Door Height:** Standard rod 84" (2134mm)
Extension rod 96" (2438mm)
Special rod 120" (3048mm)
- **Door Thickness:** Min. 44mm.
- **Dogging Kit:** Hex key dogging.
- **Screw Pack:** For 1-3/4" (44mm) to 2-1/4" (57mm) thickness, metal or wood door.
- **Handling:** Non-handed.
- **Material:** Stainless steel, steel, aluminum.
- **Finish:** (1) standard: SS satin, silver painted.
(2) optional: polishing, PVD, black, red.



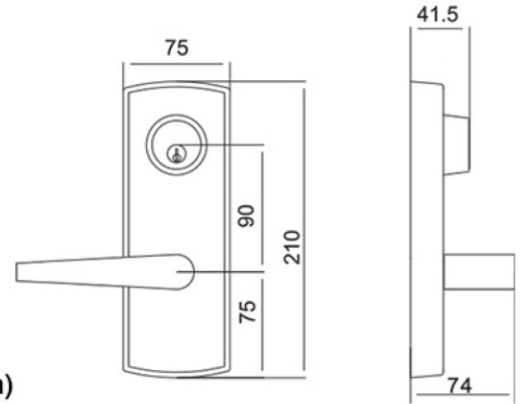
CERTIFICATIONS

- **UL Listed:** Pending.
- **BHMA Certified:** Pending.

Escutcheon Levers for Wide Stile Exit Device

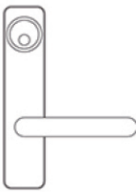
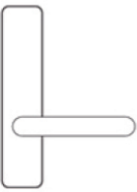
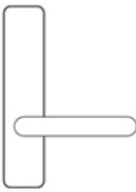


(free wheeling clutch design)

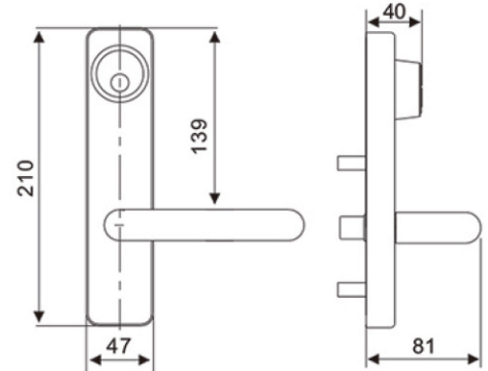


FEATURES

- Non-handed, easy installation with exit device.
- Cylinder is not furnished standard. Specify cylinder type: regular cylinder, IC core cylinder, no cylinder, when the cylinder is required.
- It fits door thickness 44 to 50mm.
- Material: stainless steel. Finish: polishing, PVD, black, red.
- Clutch free wheeling design (58110L01 series). The lever rotates when the door is locked preventing excessive force from being applied to the horizontal lever. This feature can cause less harm on the lever damage.

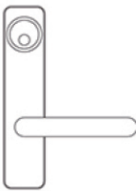
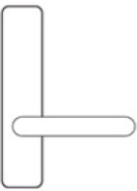
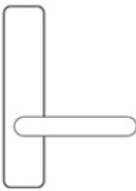
Picture			
Function	Classroom	Passage	Dummy
ANSI Function	08	14	02
Operation Function	key locks or unlocks lever	latchbolt operated by lever at any time	rigid lever, no outside function
Model	58110L01A	58110L01B	58110L01D

Escutcheon Levers for Narrow Stile Exit Device

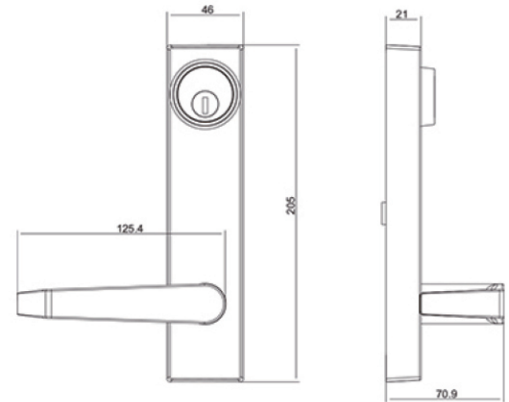
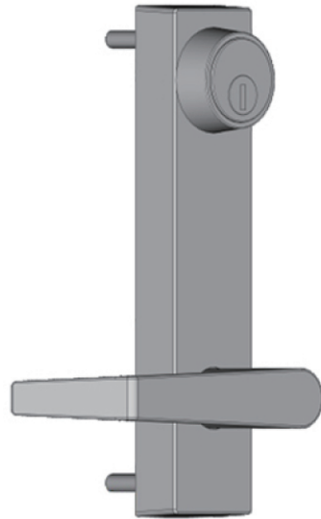


FEATURES

- Non-handed, easy installation with exit device.
- Cylinder is not furnished standard. Specify cylinder type: regular cylinder, IC core cylinder, no cylinder, when the cylinder is required.
- It fits door thickness 44 to 50mm.
- Material: stainless steel. Finish: polishing, PVD, black, red.

Picture			
Function	Classroom	Passage	Dummy
ANSI Function	08	14	02
Operation Function	key locks or unlocks lever	latchbolt operated by lever at any time	rigid lever, no outside function
Model	57110L01A	57110L01B	57110L01D

Escutcheon Levers for Narrow Stile Exit Device



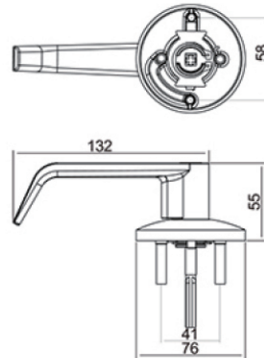
FEATURES

- Non-handed, easy installation with exit device.
- Cylinder is not furnished standard. Specify cylinder type: regular cylinder, IC core cylinder, no cylinder, when the cylinder is required.
- It fits door thickness 44 to 50mm.
- Material: stainless steel. Finish: polishing, PVD, black, red.

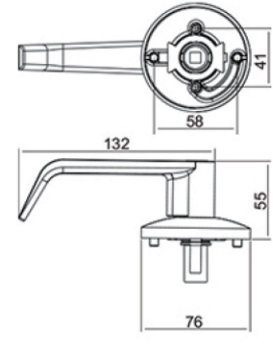
Picture					
Function	Classroom	Passage	Night Latch	Dummy	ANSI Function
ANSI Function	08	14	03	02	03
Operation Function	key locks or unlocks lever	latchbolt operated by lever at any time	key retracts latchbolt	rigid lever, no outside function	lever is operated by mortise lock. Key retracts latch of mortise lock.
Model	57120L01A	57120L01B	57120L01C	57120L01D	57120L01E

Rose Levers

for Wide Stile Exit Device



58110SF01
for rim exit device



58220SF01
for mortise lock exit device

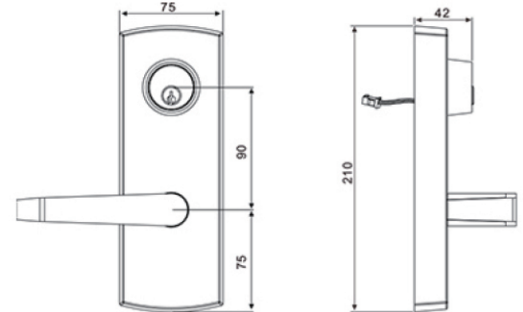
FEATURES

- Non-handed, easy installation with exit device.
- 58110SF01: with fixed cross shape spindle.
58220SF01: with spindle housing adaptor.
- It fits door thickness 45 to 50mm.
- Material: stainless steel. Finish: polishing, PVD, black, red.

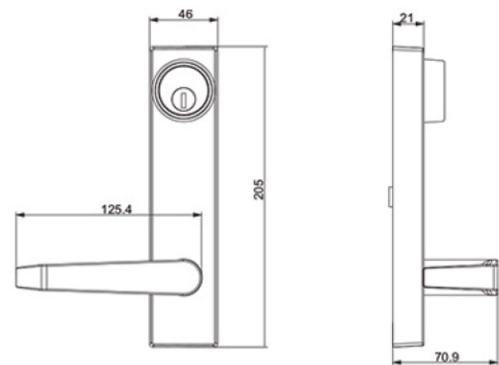
Picture	
Function	Classroom
ANSI Function	08
Operation Function	key in lever locks or unlocks lever
Model	58110SF01A 58220SF01A

Electric Escutcheon Levers

E58110L01A
for Wide Stile Exit Device
(free wheeling clutch design)



E57120L01A
for Narrow Stile Exit Device



FEATURES

- Non-handed, easy installation with exit device.
- Cylinder is not furnished standard. Specify cylinder type: regular cylinder, IC core cylinder, no cylinder, when the cylinder is required.
- It fits door thickness 44 to 50mm.
- Material: stainless steel. Finish: polishing, PVD, black, red.
- Clutch free wheeling design (E58110L01A). The lever rotates when the door is locked preventing excessive force from being applied to the horizontal lever. This feature can cause less harm on the lever damage.

ELECTRIC SPECIFICATIONS

- **Current draw:** 300mA@12VDC, 150mA@24VDC
- **Field modes:** fail safe, or fail secure.

Strikes

Rim Device use

for 58110 series



single door



double door

LBR Device use

for LBR58330 series



single door



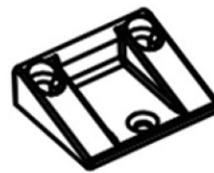
double door

3-point Lock Device use

for 58330-1 series



top strike



bottom strike



CVR Device use

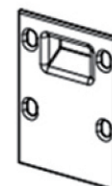
for 58550 series



top strike



top strike



bottom strike

Delayed Egress Exit Device



Function:

The alert is triggered after push pad is depressed more than 2 seconds. The alarm stops and door opens after delayed setting time. To stop alert and open door by key or access control system.

With LED indicator.

Delay time	Jumper Setting	Delay time	Jumper Setting
0 delay		10s delay	
5s delay		15s delay	

Models:

- 58110F-DE Rim
- 58220F-DE Mortise
- 58330F-DE SVR
- 58550F-DE CVR
- LBR58330F-DE LBR

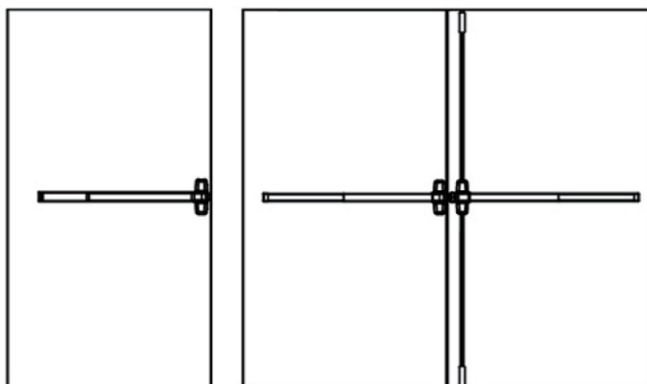
Monitoring switch:

- Latch
- Touch bar

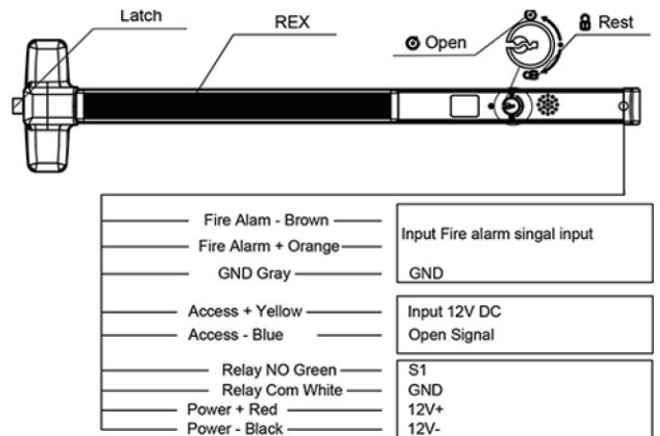
Electrical Spec.:

- Operation voltage 12-24VDC.
- Operation current 300mA.

Application:



Wiring Diagram:



Electric Latch Retraction Exit Device



Function:

Motor driven latch retraction, release by solenoid.

Electrical Spec.:

- Operation voltage 12-24VDC.
- Operation current 500mA.

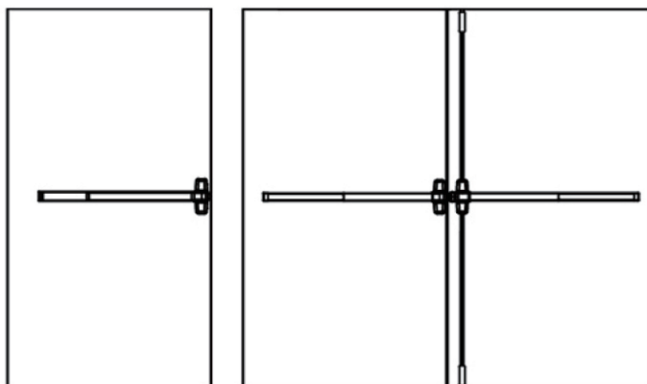
Models:

- 58110F-DE Rim
- 58220F-DE Mortise
- 58330F-DE SVR
- 58550F-DE CVR
- LBR58330F-DE LBR

Monitoring switch:

- Latch
- Touch bar
- Trim
- Top and bottom bolt.

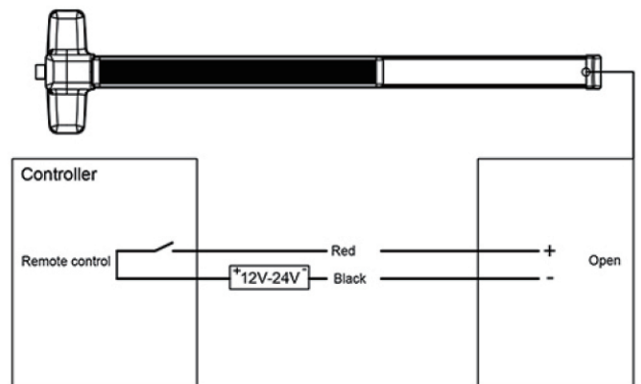
Application:



single door

double door

Wiring Diagram:











BSI Security Co., Ltd

✉ sales@bsi-hardware.com

🌐 www.bsi-hardware.com